

KU44



Mitsubishi's LARGEST & MOST EFFICIENT Diesel Engine Delivers 10 – 15 MW Output

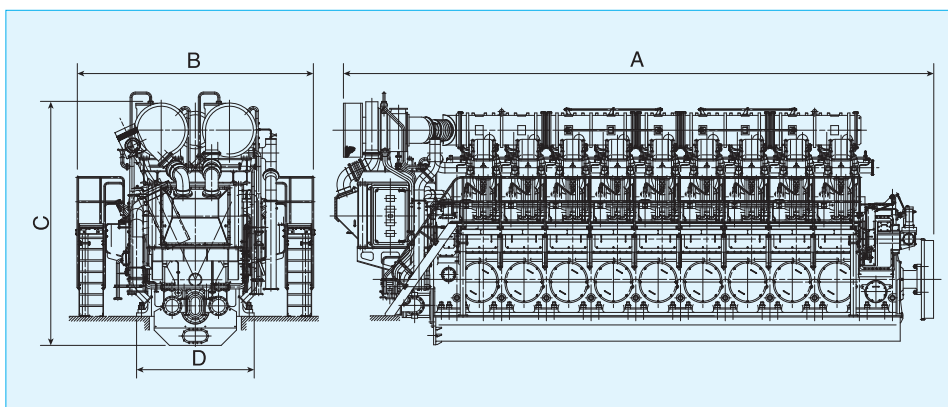
- Outstanding Choice for Large Power Plant Applications
- Exceptional Thermal Efficiency
- Modern Plant & Engine Control provide Independent Engine Starting and Operation – Increasing Owner Savings
- Runs well in Hot / High Operating Environments
- Proven performance on a wide range of fuels including HFO

Main Specifications

Model:	12KU44		14KU44		16KU44		18KU44	
Generator Frequency (Hz)	60	50	60	50	60	50	60	50
No. of Cylinders	12		14		16		18	
Bore X stroke (mm)	440 x 580							
RPM	514	500	514	500	514	500	514	500
Generator Rated output (kWe)	10,300	10,000	12,000	11,650	13,700	13,350	15,400	15,000
Engine Weight (Metric Ton)	147		168		189		210	
NOx Emissions (ppm)*1	900 or less (O ₂ : 15%)							
Steam Generation @0.69 MPaG (kg/hr)*2	3,600		4,200		4,800		5,400	

*1: NOx value to be determined referring to local regulation.

*2: These figures are for reference only. Actual figures shall be confirmed depending on design conditions.

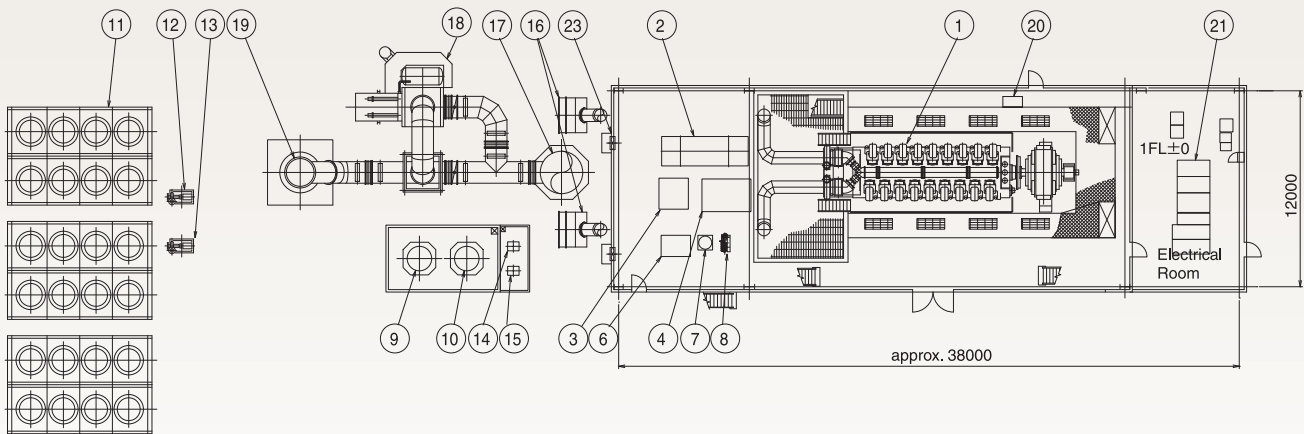
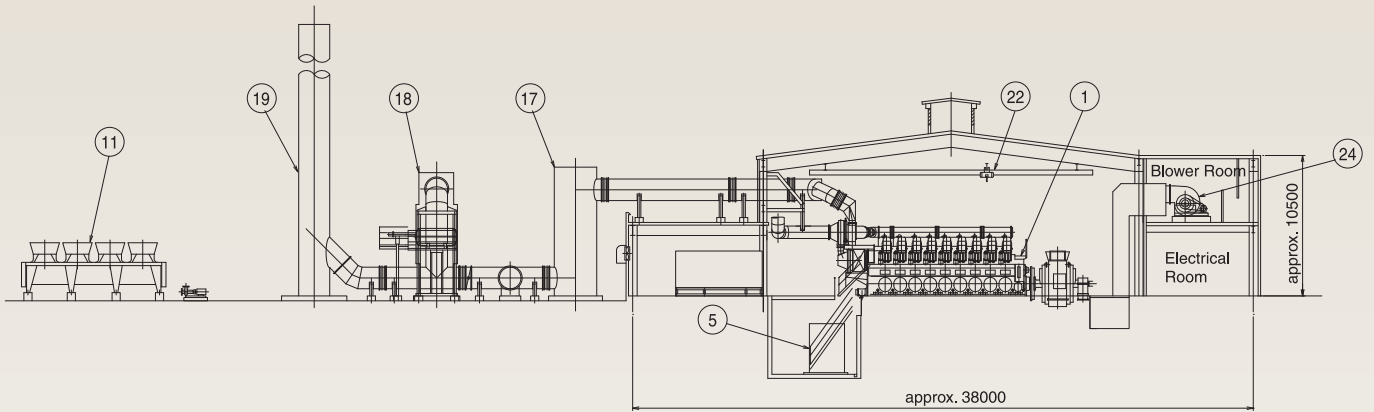


unit: mm

Model:	A	B	C	D
12KU44	9,560	4,820	4,950	2,410
14KU44	10,480	4,820	4,950	2,410
16KU44	11,400	4,820	4,950	2,410
18KU44	12,320	4,820	4,950	2,410

Example of KU44 Engine Plant

Unit: mm



- | | | | |
|--------------------------------------|---------------------------|--------------------------|-----------------------|
| ① Diesel engine and generator | ⑦ Air receiver | ⑬ HT cooling water pump | ⑲ Exhaust gas stack |
| ② Lube oil and HT cooling water unit | ⑧ Air compressor | ⑭ Heavy oil supply pump | ⑳ Engine gauge board |
| ③ Lube oil purifier unit | ⑨ Diesel oil service tank | ⑮ Diesel oil supply pump | ㉑ Electrical panels |
| ④ Fuel oil and lube oil filter unit | ⑩ Heavy oil service tank | ⑯ Intake air filter | ㉒ Overhead crane |
| ⑤ Lube oil sump tank | ⑪ Radiator | ⑰ Exhaust gas silencer | ㉓ Auxiliary vent fans |
| ⑥ Heavy oil purifier unit | ⑫ LT cooling water pump | ⑱ Exhaust gas boiler | ㉔ Blowers |

 **MITSUBISHI HEAVY INDUSTRIES, LTD.**

Head Office

16-5, Konan 2-chome, Minato-ku, Tokyo, Japan
Phone: 81-3-6716-4489
Telefax: 81-3-6716-5772

Yokohama Dockyard & Machinery Works

Kanazawa Plant
8-1, Sachiura 1-chome, Kanazawa-ku, Yokohama, Japan
Phone: 81-45-775-1202
Telefax: 81-45-775-1242