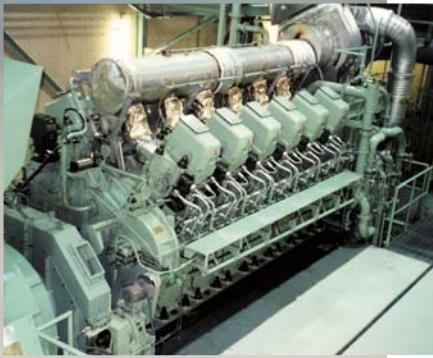


KU34



Outstanding Diesel Engine Efficiency 6 – 9 MW Class Maintenance Friendly Innovative Design

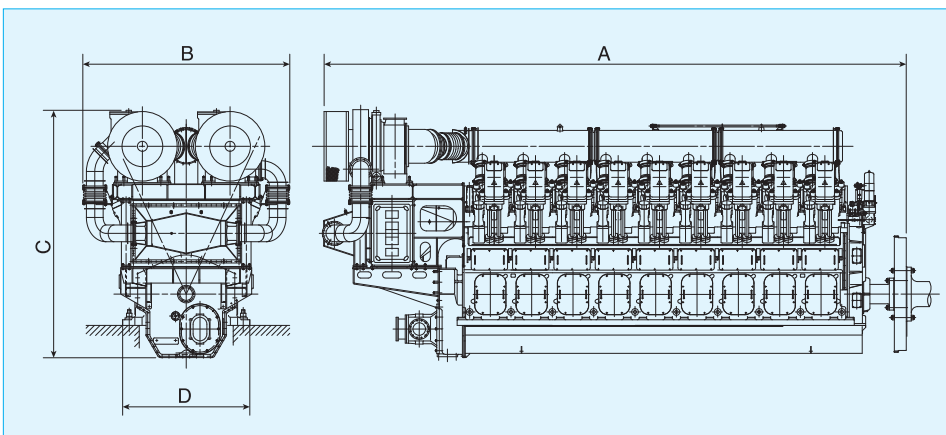
- Designed for Full Base Load Operations
- Ideal for Remote Sites demanding High Output / Continuous Power
- In-Service Record burning No.2 Diesel – Heavy Fuel Oil (HFO)
- Excellent for Refinery and Pipeline Operations, Island Power Plants and Emerging Factory Operations
- Available with various Emission Control Operations

Main Specifications

Model:	12KU34		14KU34		16KU34		18KU34	
Generator Frequency (Hz)	60	50	60	50	60	50	60	50
No. of Cylinders	12		14		16		18	
Bore x stroke (mm)	340 x 400							
RPM	720	750	720	750	720	750	720	750
Generator Rated output (kWe)	5,900	6,150	6,900	7,200	7,900	8,200	8,900	9,250
Engine Weight (Metric Ton)	71		81		91		101	
NOx Emissions (ppm)*1	710 – 780 (O ₂ : 15%)							
Steam Generation @0.69 MPaG (kg/hr)*2	2,100		2,400		2,800		3,100	

*1: NOx value to be determined referring to local regulation.

*2: These figures are for reference only. Actual figures shall be confirmed depending on design conditions.

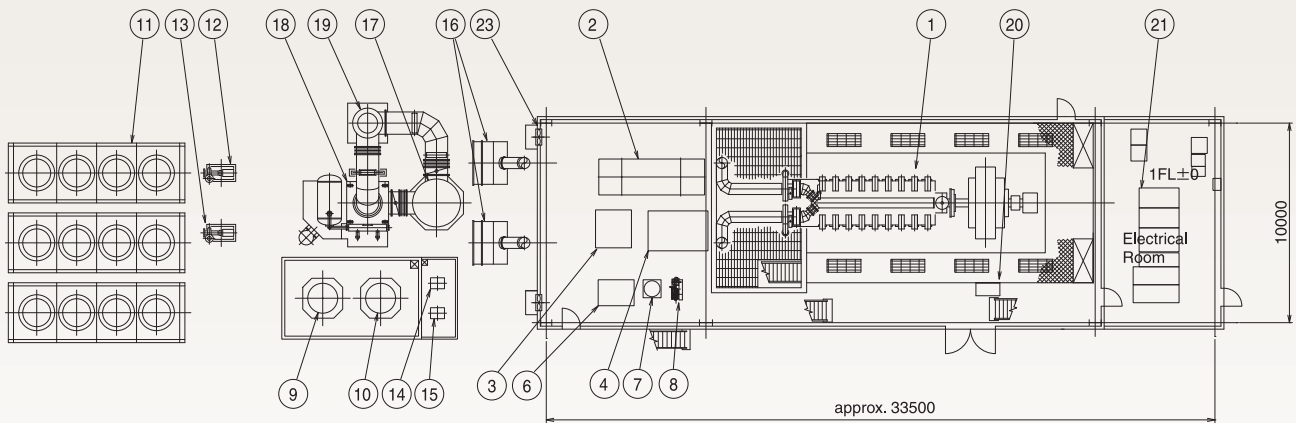
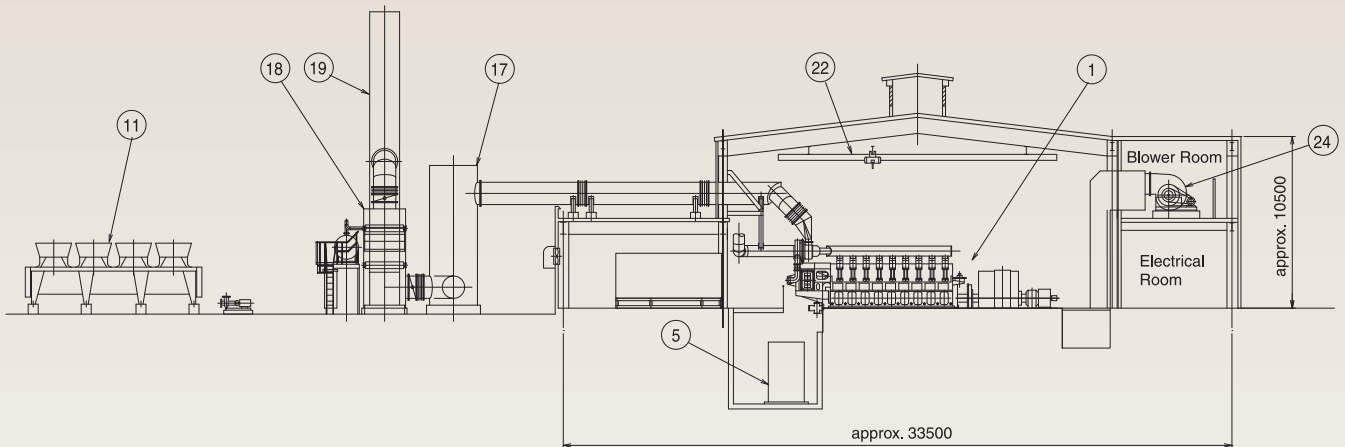


unit: mm

Model:	A	B	C	D
12KU34	7,565	2,645	4,265	2,030
14KU34	8,225	2,645	4,265	2,030
16KU34	8,645	3,305	3,950	2,030
18KU34	9,305	3,305	3,950	2,030

Example of KU34 Engine Plant

Unit: mm



- | | | | |
|--------------------------------------|---------------------------|--------------------------|-----------------------|
| ① Diesel engine and generator | ⑦ Air receiver | ⑬ HT cooling water pump | ⑲ Exhaust gas stack |
| ② Lube oil and HT cooling water unit | ⑧ Air compressor | ⑭ Heavy oil supply pump | ⑳ Engine gauge board |
| ③ Lube oil purifier unit | ⑨ Diesel oil service tank | ⑮ Diesel oil supply pump | ㉑ Electrical panels |
| ④ Fuel oil and lube oil filter unit | ⑩ Heavy oil service tank | ⑯ Intake air filter | ㉒ Overhead crane |
| ⑤ Lube oil sump tank | ⑪ Radiator | ⑰ Exhaust gas silencer | ㉓ Auxiliary vent fans |
| ⑥ Heavy oil purifier unit | ⑫ LT cooling water pump | ⑱ Exhaust gas boiler | ㉔ Blowers |

 **MITSUBISHI HEAVY INDUSTRIES, LTD.**

Head Office

16-5, Konan 2-chome, Minato-ku, Tokyo, Japan
Phone: 81-3-6716-4489
Telefax: 81-3-6716-5772

Yokohama Dockyard & Machinery Works

Kanazawa Plant
8-1, Sachiura 1-chome, Kanazawa-ku, Yokohama, Japan
Phone: 81-45-775-1202
Telefax: 81-45-775-1242