

KU30B

Mitsubishi's Newest Diesel Engine 8 MW Class Output Maintenance Friendly Innovative Design



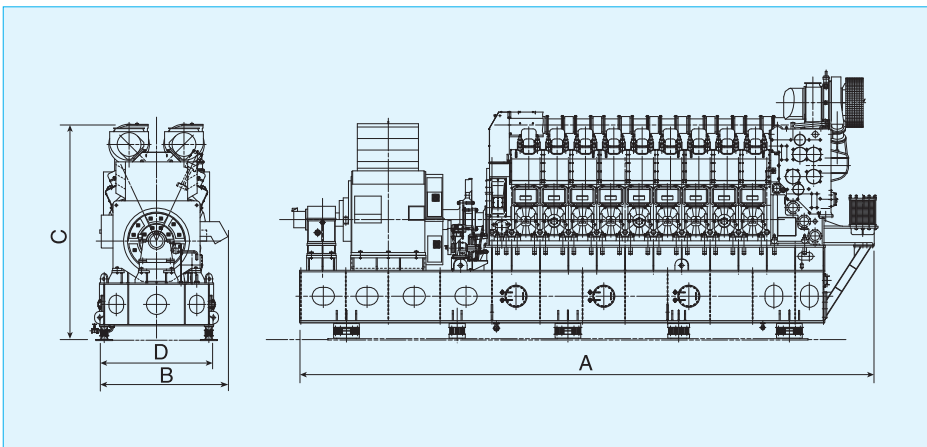
- Operator / Maintainer Focus
- Easy Access to Critical Engine Parts – Reduced Service Periods
- Proven Performance on both Diesel Fuel and Heavy Fuel Oil (HFO)
- Delivered with the Diamond System (DIASYS) Plant Control System
- Exceptional Performance under Hot Conditions operating at Higher Elevations

Main Specifications

Model:	12KU30B		14KU30B		16KU30B		18KU30B	
Generator Frequency (Hz)	60	50	60	50	60	50	60	50
No. of Cylinders	12		14		16		18	
Bore x stroke (mm)	300 x 420							
RPM	720	750	720	750	720	750	720	750
Generator Rated output (kWe)	5,180	5,400	6,050	6,300	6,910	7,200	7,780	8,100
Engine Weight (Metric Ton)	85		94		102		110	
NOx Emissions (ppm)*1	710 – 780 (O ₂ : 15%)							
Steam Generation @0.69 MPaG (kg/hr)*2	1,800	1,840	1,980	2,030	2,540	2,610	2,750	2,820

*1: NOx value to be determined referring to local regulation.

*2: These figures are for reference only. Actual figures shall be confirmed depending on design conditions.

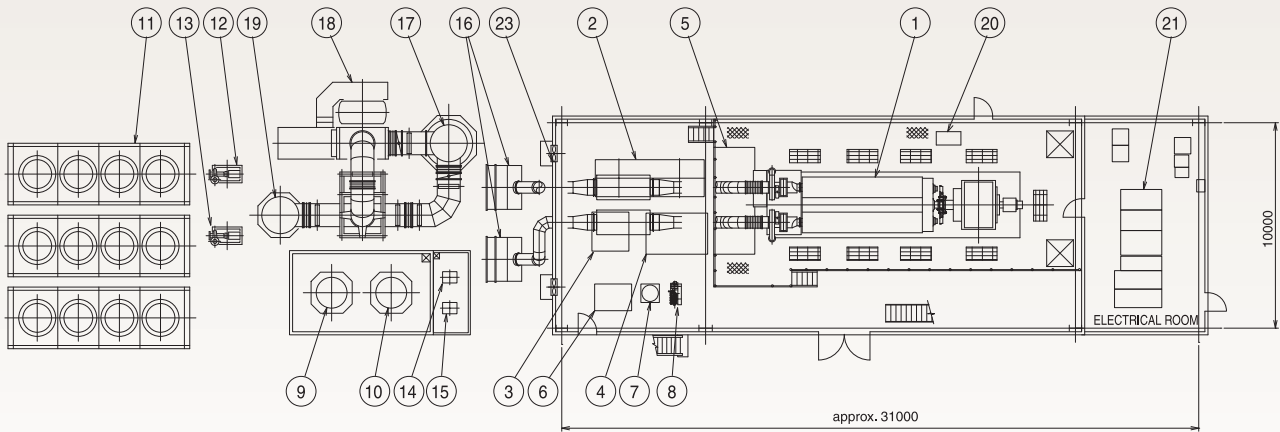
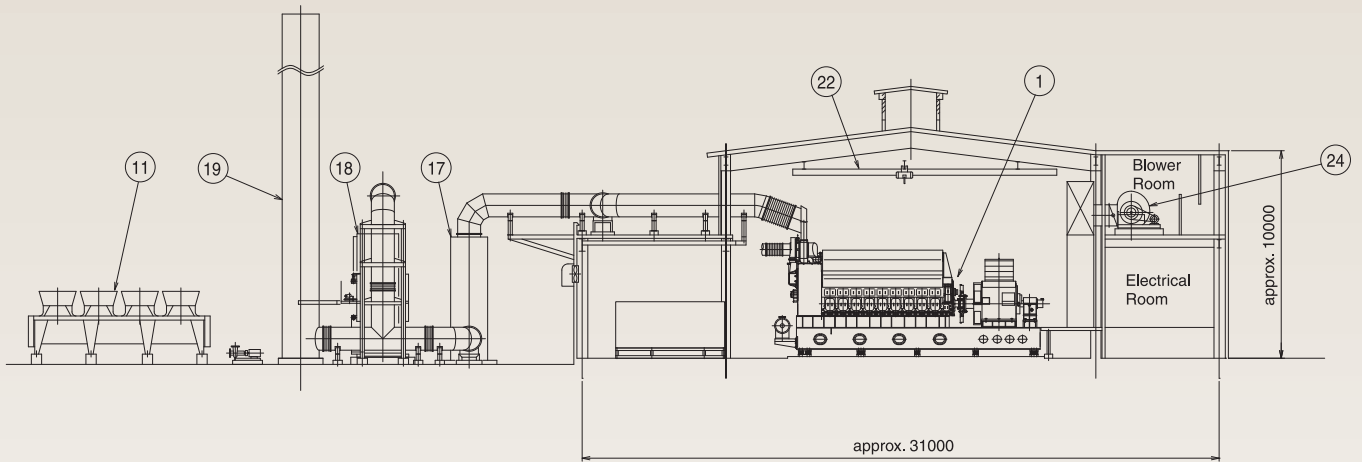


unit: mm

Model:	A	B	C	D
12KU30B	11,060	3,510	5,930	3,120
14KU30B	11,700	3,510	5,930	3,120
16KU30B	12,340	3,510	5,930	3,120
18KU30B	12,980	3,510	5,930	3,120

Example of KU30B Engine Plant

Unit: mm



- | | | | |
|--------------------------------------|---------------------------|--------------------------|-----------------------|
| ① Diesel engine and generator | ⑦ Air receiver | ⑬ HT cooling water pump | ⑲ Exhaust gas stack |
| ② Lube oil and HT cooling water unit | ⑧ Air compressor | ⑭ Heavy oil supply pump | ⑳ Engine gauge board |
| ③ Lube oil purifier unit | ⑨ Diesel oil service tank | ⑮ Diesel oil supply pump | ㉑ Electrical panels |
| ④ Fuel oil and lube oil filter unit | ⑩ Heavy oil service tank | ⑯ Intake air filter | ㉒ Overhead crane |
| ⑤ Piping block | ⑪ Radiator | ⑰ Exhaust gas silencer | ㉓ Auxiliary vent fans |
| ⑥ Heavy oil purifier unit | ⑫ LT cooling water pump | ⑱ Exhaust gas boiler | ㉔ Blowers |

 **MITSUBISHI HEAVY INDUSTRIES, LTD.**

Head Office

16-5, Konan 2-chome, Minato-ku, Tokyo, Japan
Phone: 81-3-6716-4489
Telefax: 81-3-6716-5772

Yokohama Dockyard & Machinery Works

Kanazawa Plant
8-1, Sachiura 1-chome, Kanazawa-ku, Yokohama, Japan
Phone: 81-45-775-1202
Telefax: 81-45-775-1242